

Pressure reducing valve, direct operated

Type ZDR

Size 10
Component series 5X
Maximum operating pressure 210 bar
Maximum flow 80 l/min



H7751

Table of contents

Contents
Features
Ordering code
Symbols
Unit dimensions

Page	
1	– Sandwich plate valve
1	– Porting pattern according to ISO 4401-05-04-0-05
2	– 4 pressure ratings
2	– 4 adjustment types, optional:
3	• Rotary knob
	• Bushing with hexagon and protective cap
	• Lockable rotary knob with scale
	• Rotary knob with scale
	– Check valve, optional (version "A")
	– Pressure reduction in channel A, B or channel P

Features

Ordering code

Z	DR	10	D		-5X/	Y		*
Sandwich plate valve = Z	Pressure reducing valve = DR	Size 10 = 10	Direct operated = D					Further details in the plain text
								Seal material
								No code = NBR seals
								V = FKM seals
								(other seals at request)
								Attention!
								Observe compatibility of seals with hydraulic fluid used!
								No code = With check valve
								(only with version "A")
								M = Without check valve
								Y = Pilot oil supply internal, pilot oil return external
								25 = Secondary pressure up to 25 bar
								75 = Secondary pressure up to 75 bar
								150 = Secondary pressure up to 150 bar
								210 = Secondary pressure up to 210 bar
Adjustment type								
Rotary knob				= 1				
Bushing with hexagon and protective cap				= 2				
Lockable rotary knob with scale				= 3 ¹⁾				
Rotary knob with scale				= 7				
Component series 50 to 59				= 5X				
(50 to 59: unchanged installation and connection dimensions)								

¹⁾ H-key with material no. **R900008158** is included in the delivery

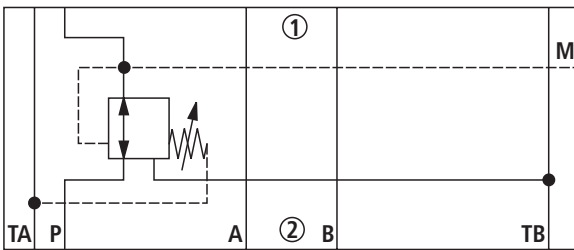
Standard types and standard units are contained in the EPS (standard price list).

Note!

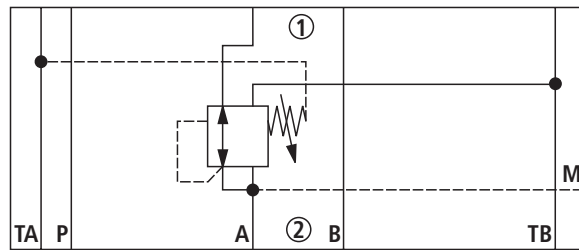
For port X and Y bored according to ISO 4401-05-05-0-05 (e.g. for pilot operated directional valve size 10), version "SO30" at the end of the order code applies!

Symbols (① = component side, ② = plate side)

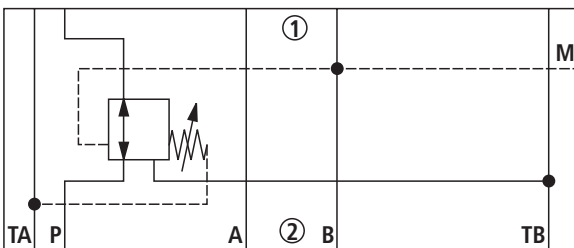
Type ZDR 10 DP...YM...



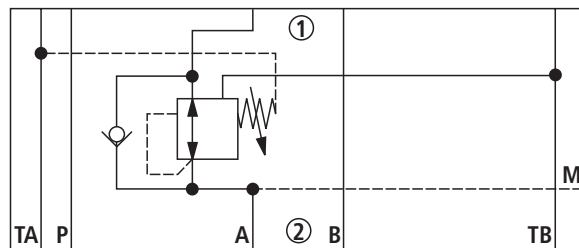
Type ZDR 10 DA...YM...



Type ZDR 10 DB...YM...



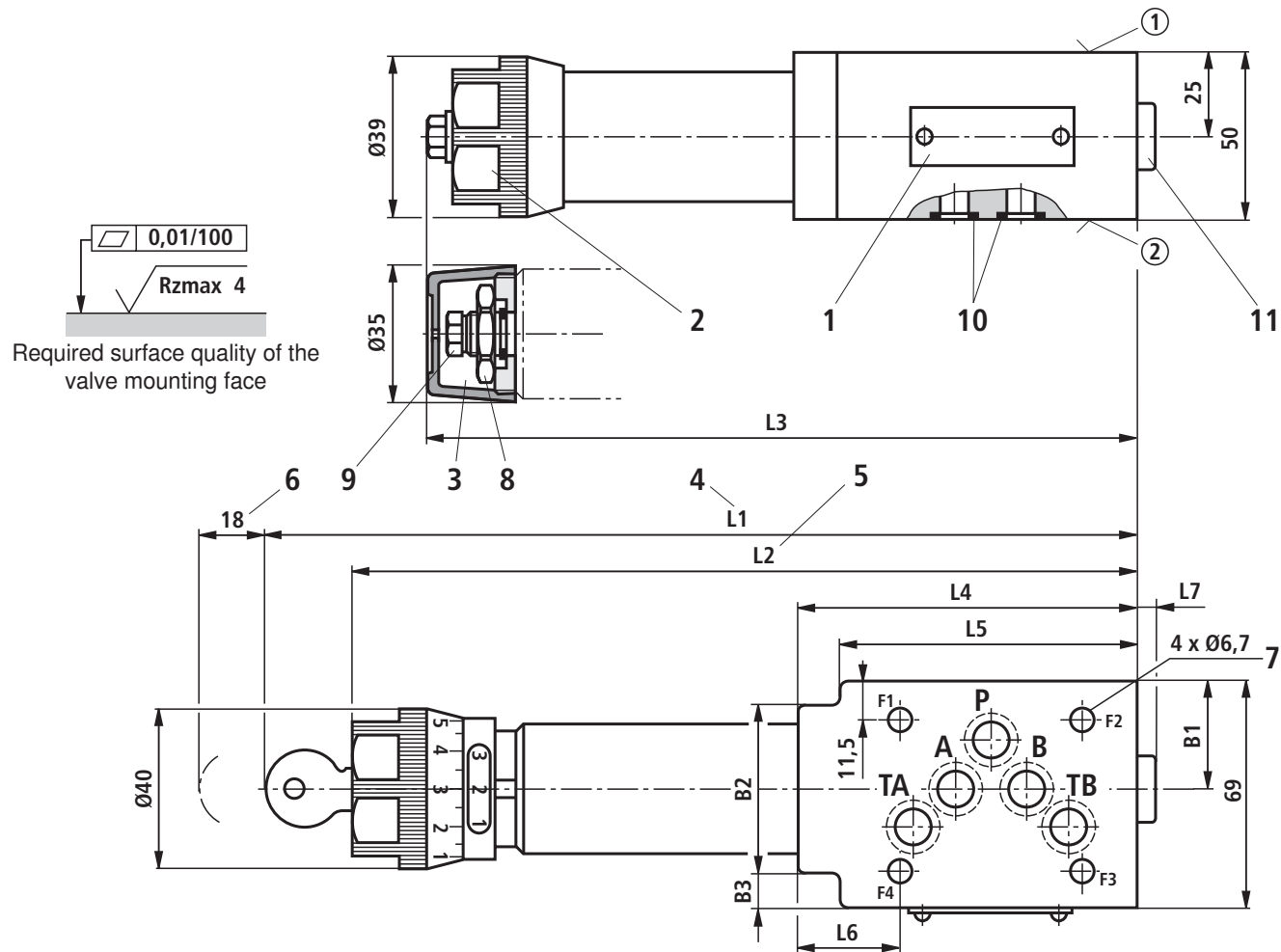
Type ZDR 10 DA...Y...



Note!

Deviating from ISO 4401, port T is in this data sheet called TA, port T1 is called TB.

Unit dimensions (dimensions in mm)



Version	L1	L2	L3	L4	L5	L6	L7	B1	B2	B3
"A"	254	230	210	104	93	31,5	3,8	32,9	51	12
"B" and "P"	242	218	198	91	-	18,5	15,8	35	-	-

- 1 Name plate
- 2 Adjustment type "1"
- 3 Adjustment type "2"
- 4 Adjustment type "3"
- 5 Adjustment type "7"
- 6 Space required to remove the key
- 7 Valve mounting bores
- 8 Lock nut SW24
- 9 Hexagon SW10
- 10 Identical seal rings for ports A, B, P, TA and TB
- 11 Pressure gauge connection G1/4; 12 deep; internal hexagon SW6

Valve mounting screws (separate order)

4 hexagon socket head cap screws ISO 4762 - M6 - 10.9

Notes!

- Length and tightening torque of the valve mounting screws must be calculated according to the components mounted under and over the sandwich plate valve.
- For port X and Y bored according to ISO 4401-05-05-0-05 (e.g. for pilot operated directional valve size 10), version "SO30" at the end of the order code applies!
- Deviating from ISO 4401, port T is in this data sheet called TA, port T1 is called TB.

- ① Component side – porting pattern according to ISO 4401-05-04-0-05
- ② Plate side – porting pattern according to ISO 4401-05-04-0-05