



➔ **Advantages:**

- ✓ Suitable for high pressure
- ✓ No lock nut is required
- ✓ Suitable for high temperatures
- ✓ Working pressure up to 400 bar
- ✓ Applicable for different media



Details

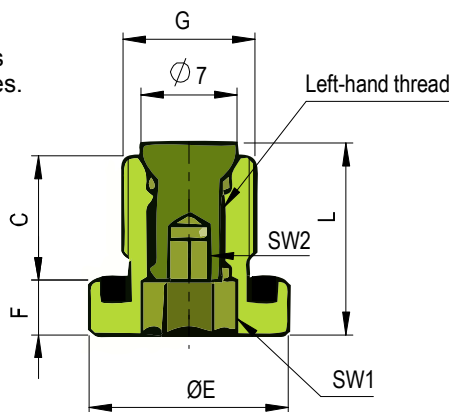
Principle 1:

Due to the simple design, the vent plugs are very insensitive to external influences.

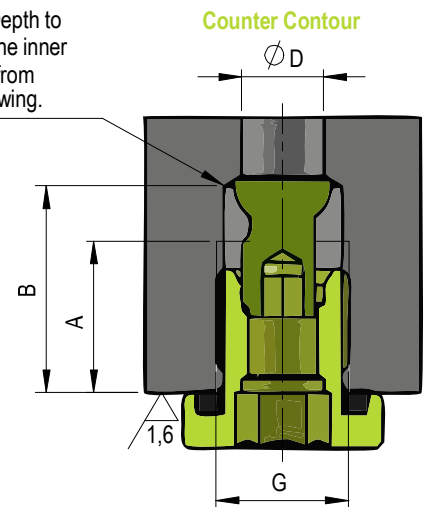
For venting only one Allen key WS3 is required.

The inner vent screw is to open in counterclockwise sense. Because of that, there is no risk of loosening of the outer screw while closing.

It is sufficient to open the inner screw only a half turn for venting.



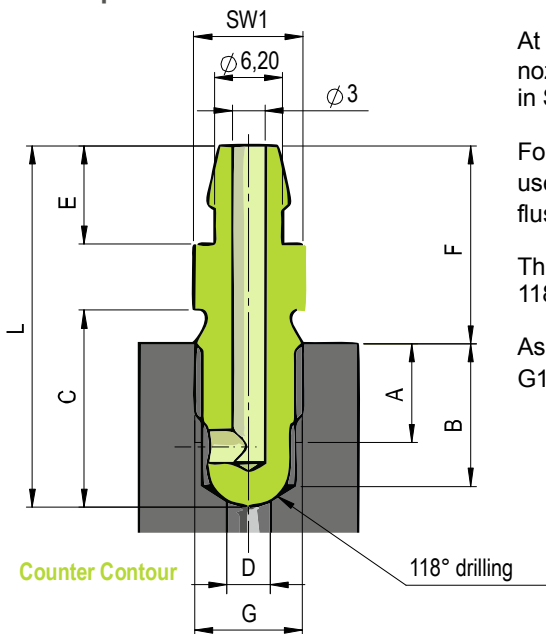
Max. Depth to avoid the inner screw from unscrewing.



Turn the inner screw to the left for venting!

Part-no.	Principle	G	L	A	B	C	D	E	F	SW1	SW2
IVS-001	2	M8	31,5	8,00	10,5-13,5	ca. 17,5	2-3,5	9,5	ca. 18	9	
IVS-002	1	1/4	19,5	13,00	14-17	12	1-6	19	5	6	3
IVS-006	2	1/8	33	9,00	11,5-13,5	ca. 18	3,5-6,5	9,5	ca. 17,5	10	
IVS-007	1	1/8	14	11,00	12-15	9	1-6	14,5	4	6	3

Principle 2



Principle 2:

At the end of the screw there is a hose nozzle integrated to connect a PVC-Tube in Size 8.

For venting an open-end wrench can be used. The hose nozzle can be used to flush the piping system.

The screw is designed to seal against a 118° drilling.

As standard we offer screws with M8 and G1/8 thread. Other sizes on request.

Notes:

All indications relate exclusively to the use of iron and steel materials. The components are only to be used in accordance to their intended use. (See general data)

The recommended tightening torques for other counter materials can be requested from us.

General Data:

Max. Working pressure:	400 bar
Max. Temperature:	150°C
Material:	Stainl. Steel
Sealing- material:	Viton

Contact

iNOSOL GmbH
Frankfurter Str. 18
35315 Homburg/Ohm (Germany)

web: www.inosol.solutions
email: info@inosol.solutions
tel.: (+49) 6633 / 368 95 25