

## Pressure reducing valve, direct operated

1/4

### Type DR 10 DP

Size 10  
Component series 4X  
Maximum operating pressure 210 bar  
Maximum flow 80 l/min



K4786/11

### Table of contents

Contents	Page
Features	1
Ordering code	2
Symbols	2
Unit dimensions	3, 4

### Features

- For subplate mounting
- Porting pattern according to DIN 24340 Form D and ISO 5781-06-07-0-00
- 4 adjustment types for pressure adjustment, optionally:
  - Rotary knob
  - Setscrew with hexagon and protective cap
  - Lockable rotary knob with scale
  - Rotary knob with scale
- 4 pressure ratings
- With pressure gauge connection
- Check valve, optional
  
- More information:
  - Subplates

Data sheet 45062

### Ordering code



Pressure reducing valve, direct operated, size 10

**Adjustment type**

Rotary knob	= 1
Setscrew with hexagon and protective cap	= 2
Lockable rotary knob with scale	= 3 <sup>1)</sup>
Rotary knob with scale	= 7
Component series 40 to 49 (40 to 49: Unchanged installation and connection dimensions)	= 4X
Maximum secondary pressure 25 bar	= 25
Maximum secondary pressure 75 bar	= 75
Maximum secondary pressure 150 bar	= 150
Maximum secondary pressure 210 bar	= 210

Further details in the plain text

**Seal material**

**No code =** NBR seals  
**V =** FKM seals  
 (other seals upon request)  
 Attention!  
 Observe compatibility of seals with hydraulic fluid used!

**No code =** With check valve  
**M =** Without check valve

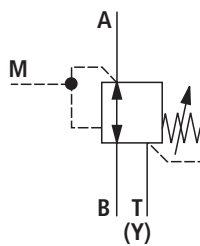
**Y =** Pilot oil supply internal, leakage oil discharge external

<sup>1)</sup> H-key with Material no. **R900008158** is included in the delivery.

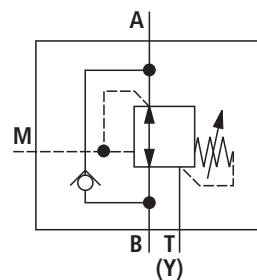
**Standard types and standard units are contained in the EPS (standard price list).**

### Symbols

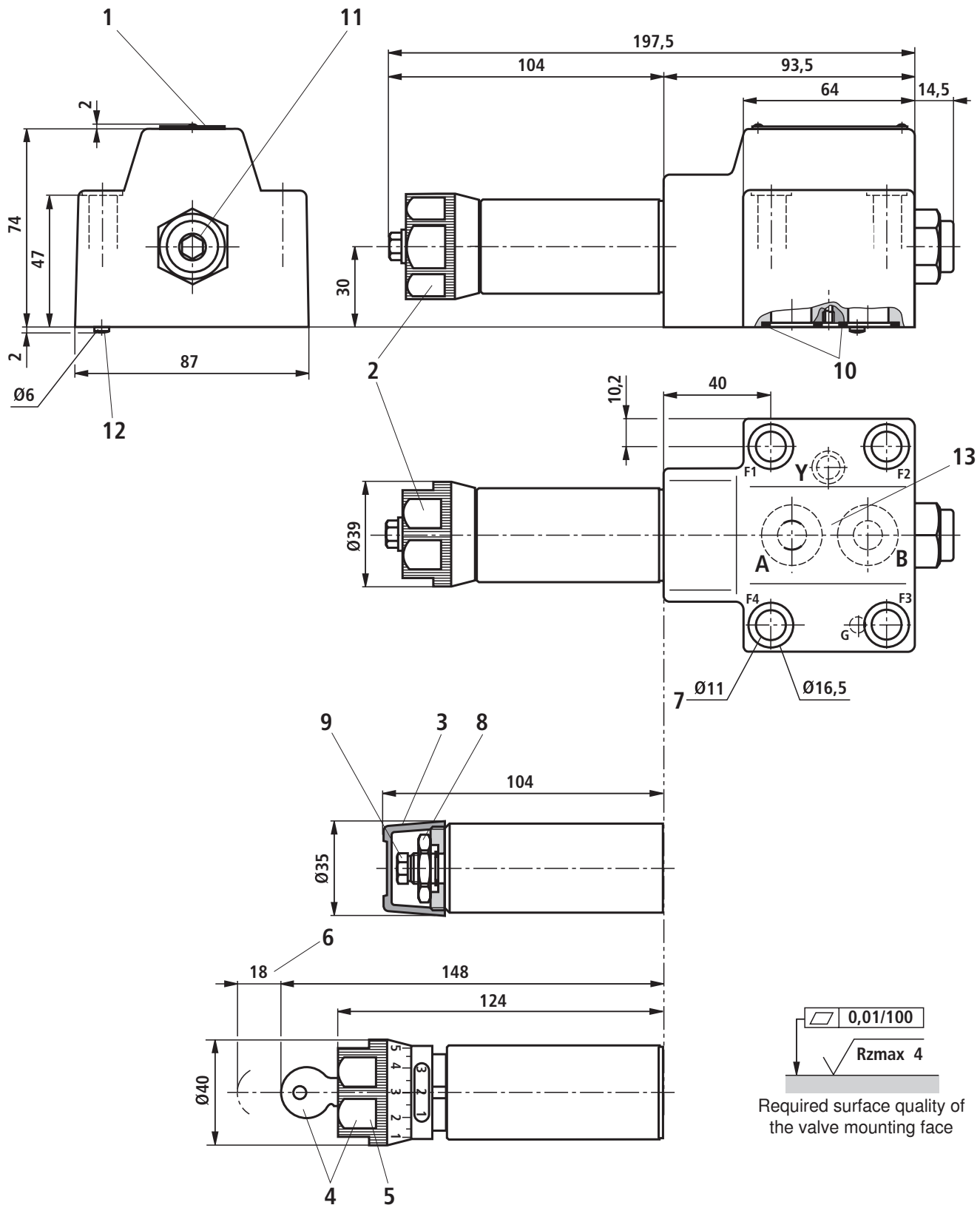
**Version "M"**  
without check valve



**"No code" version**  
with check valve



**Unit dimensions** (dimensions in mm)



## Unit dimensions

---

- |    |  |   |
|----|--|---|
| 1  | Name plate   | <b>Subplates</b> according to data sheet 45062 (separate order)   |
| 2  | Adjustment type "1"  | G 460/01 (G3/8)   |
| 3  | Adjustment type "2"  | G 461/01 (G1/2)   |
| 4  | Adjustment type "3"  |   |
| 5  | Adjustment type "7"  |   |
| 6  | Space required to remove the key   | <b>Valve mounting screws</b> (separate order)                     |
| 7  | Valve mounting bores   | <b>4 hexagon socket head cap screws metric</b>                    |
| 8  | Lock nut SW24  | <b>ISO 4762 - M10 x 60 - 10.9-flZn-240h-L</b>                     |
| 9  | Hexagon SW10   | with friction coefficient $\mu_{\text{total}} = 0.09$ to $0.14$ , |
| 10 | Identical seal rings for ports A, B, P, T(Y)                             | Tightening torque $M_A = 60 \text{ Nm} \pm 10 \%$ ,               |
| 11 | Pressure gauge connection G1/4; 12 deep.<br>Internal hexagon SW6         | Material no. <b>R912000116</b>                                    |
| 12 | Locating pin   |   |
| 13 | Porting pattern according to DIN 24340 Form D and<br>ISO 5781-06-07-0-00 |   |