

Pressure reducing valve, pilot operated

1/6

Type DR

Size 10 to 32
Component series 5X
Maximum operating pressure 350 bar
Maximum flow 400 l/min



K4660/9

Table of contents

Contents	Page
Features	1
Ordering code	2
Symbols	2
Unit dimensions	3 to 6

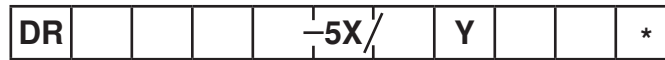
Features

- For subplate mounting
- Porting pattern according to ISO 5781
- For threaded connection
- As cartridge valve
- 4 adjustment types, optional:
 - Rotary knob
 - Bushing with hexagon and protective cap
 - Lockable rotary knob with scale
 - Rotary knob with scale
- 5 pressure ratings
- Check valve, optional (only subplate mounting)

- More information:
 - Subplates

Data sheet 45062

Ordering code



Complete valve = **no code**
 (Subplate mounting or threaded connection)
 Pilot valve = **C**
without main spool insert (cartridge valve)
 (do **not** enter size)
 Pilot valve = **C**
with main spool insert (cartridge valve)
 (enter valve size 30)

Size	Ordering code	
	Subplate mounting "-"	Threaded connection "G"
10	= 10	= 10 (G1/2)
16	-	= 15 (G3/4)
25	= 20	= 20 (G1)
25	-	= 25 (G1 1/4)
32	= 30	= 30 (G1 1/2)

As cartridge valve = **no code**
 (version "C", **without** main spool insert)
 As cartridge valve = **-**
 (version "C", **with** main spool insert)
 For subplate mounting = **-**
 For threaded connection = **G**

Adjustment type for pressure adjustment

Rotary knob = **4**
 Bushing with hexagon and protective cap = **5**
 (always with maximum pressure adjustment)
 Lockable rotary knob with scale = **6¹⁾**
 Rotary knob with scale = **7**

¹⁾ H-key with Material no. **R900008158** is included in the delivery.

Further details in the plain text

Seal material
No code = NBR seals
V = FKM seals
 (other seals upon request)
 Attention!
 Observe compatibility of seals with hydraulic fluid used!

No code = **With** check valve
 (only for subplate mounting)

M = **Without** check valve

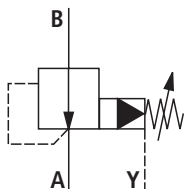
Pilot oil supply
Y = Pilot oil supply internal,
 pilot oil return external

50 = Set pressure up to 50 bar
100 = Set pressure up to 100 bar
200 = Set pressure up to 200 bar
315 = Set pressure up to 315 bar
350 = Set pressure up to 350 bar
 (only version "M")

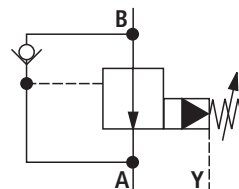
5X = Component series 50 to 59
 (50 to 59: unchanged installation and connection dimensions)

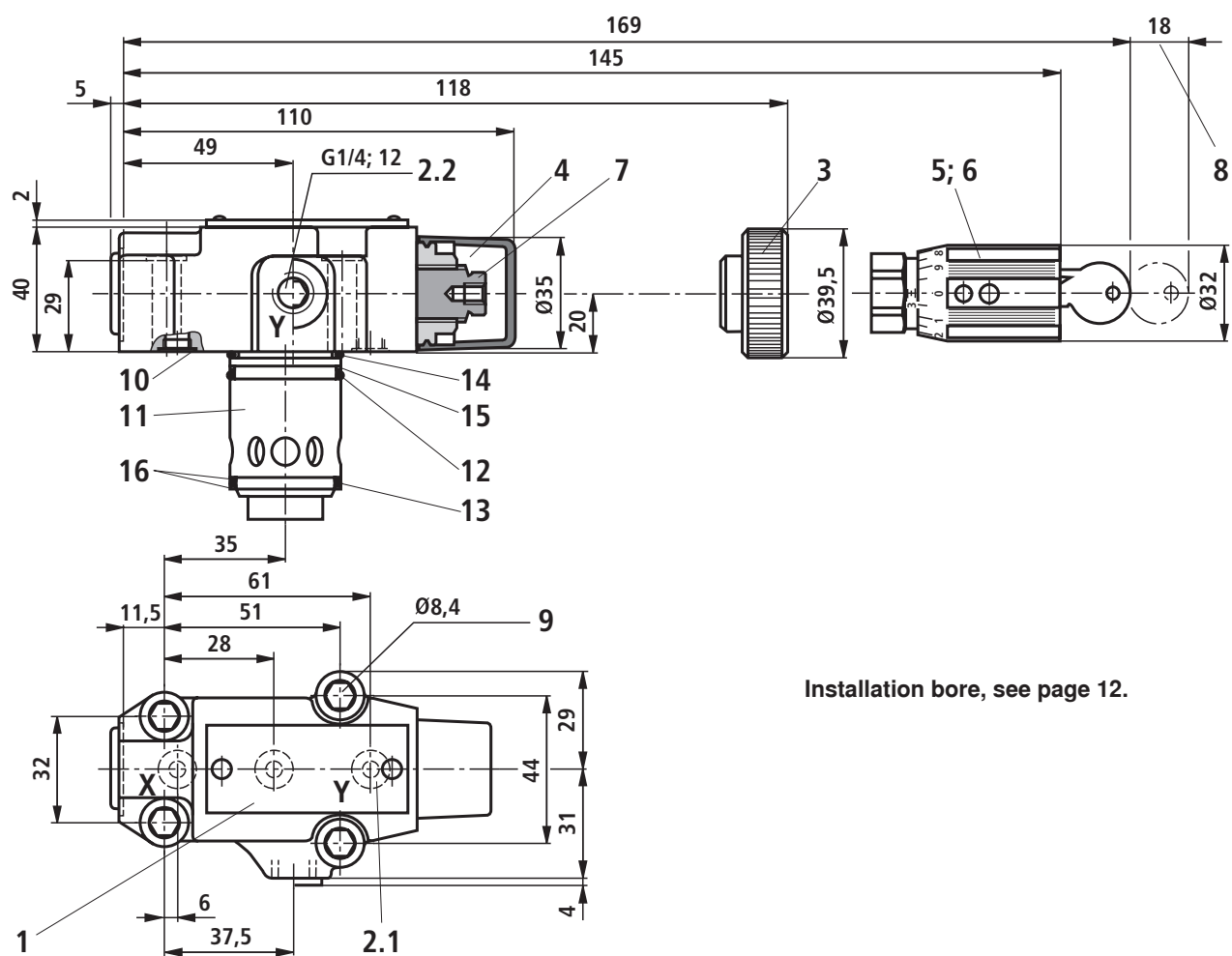
Symbols

Type DR...YM



Type DR...Y



Unit dimensions: Type DRC...; cartridge valve (dimensions in mm)


Installation bore, see page 12.

- 1 Name plate
- 2.1 Y port for pilot oil return external
- 2.2 Y port optionally for pilot oil return external
- 3 Adjustment type "4"
- 4 Adjustment type "5"
- 5 Adjustment type "6"
- 6 Adjustment type "7"
- 7 Hexagon SW10
- 8 Space required to remove the key
- 9 Valve mounting bores
- 10 Seal rings
- 11 Main spool insert
- 12 Seal ring
- 13 Seal ring
- 14 Seal ring
- 15 Support ring
- 16 Support ring

Valve mounting screws

(separate order)

4 hexagon socket head cap screws

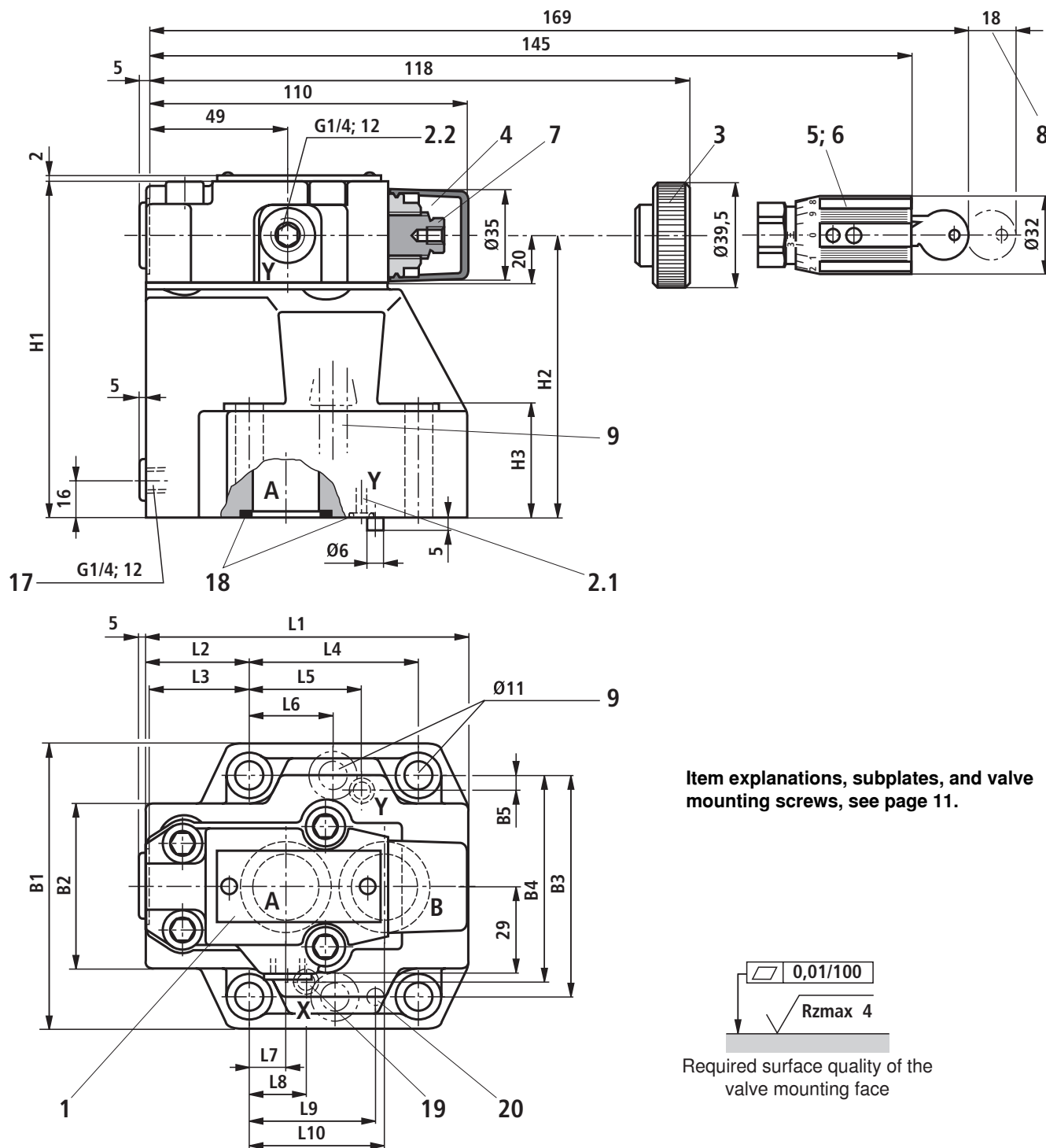
ISO 4762 - M8 x 40 - 10.9-fIZn-240h-L

with friction coefficient $\mu_{\text{total}} = 0.09$ to 0.14 ,

Tightening torque $M_A = 31 \text{ Nm} \pm 10 \%$,

Material No. **R913000205**

Unit dimensions: Type DR...; subplate mounting (dimensions in mm)



Size	L1	L2	L3	L4	L5	L6	L7	L8	L9	L10
10	96	35.5	33	42.9	21.5	-	7.2	21.5	31.8	35.8
25	116	37.5	35.4	60.3	39.7	-	11.1	20.6	44.5	49.2
32	145	33	29.8	84.2	59.5	42.1	16.7	24.6	62.7	67.5

Size	B1	B2	B3	B4	B5	H1	H2	H3
10	85	50	66.7	58.8	7.9	112	92	28
25	102	59.5	79.4	73	6.4	122	102	38
32	120	76	96.8	92.8	3.8	130	110	46

Unit dimensions

- 1 Name plate
- 2.1 Y port for pilot oil return external
- 2.2 Y port optionally for pilot oil return external
- 3 Adjustment type "4"
- 4 Adjustment type "5"
- 5 Adjustment type "6"
- 6 Adjustment type "7"
- 7 Hexagon SW10
- 8 Space required to remove the key
- 9 Valve mounting bore
- 17 Pressure gauge connection
- 18 Identical seal rings for ports A and B;
identical seal rings for ports X and Y
- 19 Port B without function (blind hole)
- 20 Locating pin

Subplate mounting:

Subplates according to data sheet 45062
(separate order)

- Size 10 G 460/01 (G3/8)
 G 461/01 (G1/2)
- Size 20 G 412/01 (G3/4)
 G 413/01 (G1)
- Size 30 G 414/01 (G1 1/4)
 G 415/01 (G1 1/2)

Valve mounting screws (separate order)

- Size 10
**4 hexagon socket head cap screws metric
ISO 4762 - M10 x 50 - 10.9-fIZn-240h-L**
with friction coefficient $\mu_{\text{total}} = 0.09$ to 0.14 ,
Tightening torque $M_A = 60 \text{ Nm} \pm 10 \%$,
Material no. **R913000471**
- Size 20
4 ISO 4762 - M10 x 60 - 10.9-fIZn-240h-L
with friction coefficient $\mu_{\text{total}} = 0.09$ to 0.14 ,
Tightening torque $M_A = 60 \text{ Nm} \pm 10 \%$,
Material no. **R913000116**
- Size 30
6 ISO 4762 - M10 x 70 - 10.9-fIZn-240h-L
with friction coefficient $\mu_{\text{total}} = 0.09$ to 0.14 ,
Tightening torque $M_A = 60 \text{ Nm} \pm 10 \%$,
Material no. **R913000126**