

## Pressure reducing valve, pilot operated, type 3DR

Nominal size 10

Series 6X

Maximum operating pressure 315 bar

Maximum flow 120 L/min



H/A/D 5845/97

Type 3DR 10 P5-6X/315Y/00M

### Contents

**Description**  
Features  
Ordering details  
Unit dimensions

Page	Features
1	– Valve for the reduction (P to A) and limitation (A to T) of a pressure in a hydraulic system
1	– For sub-plate mounting, porting pattern DIN 24 340 form A, ISO 4401 and CETOP-RP 121 H, sub-plates to catalogue sheet RE 45 054 (separate order)
2	– 4 pressure stages
	– 4 adjustment elements: <ul style="list-style-type: none"> <li>• rotary knob</li> <li>• sleeve with hexagon and protective cap</li> <li>• lockable rotary knob with scale</li> <li>• rotary knob with scale</li> </ul>

### Ordering details

	3DR	10	P	-6X/	Y/	00	*
3-way pressure reducing valve							
Nominal size 10		= 10					
Sub-plate mounting			= P				
<b>Adjustment element</b>							
Rotary knob				= 4			
Sleeve with hexagon and protective cap				= 5			
Lockable rotary knob with scale				= 6 <sup>1)</sup>			
Rotary knob with scale				= 7			
Series 60 to 69 (60 to 69: unchanged installation and connection dimensions)				= 6X			
Setable pressure up to 50 bar						= 50	
Setable pressure up to 100 bar						= 100	
Setable pressure up to 200 bar						= 200	
Setable pressure up to 315 bar						= 315	
							M =
							V =
							00 =
							Y =
							*

Further details in clear text

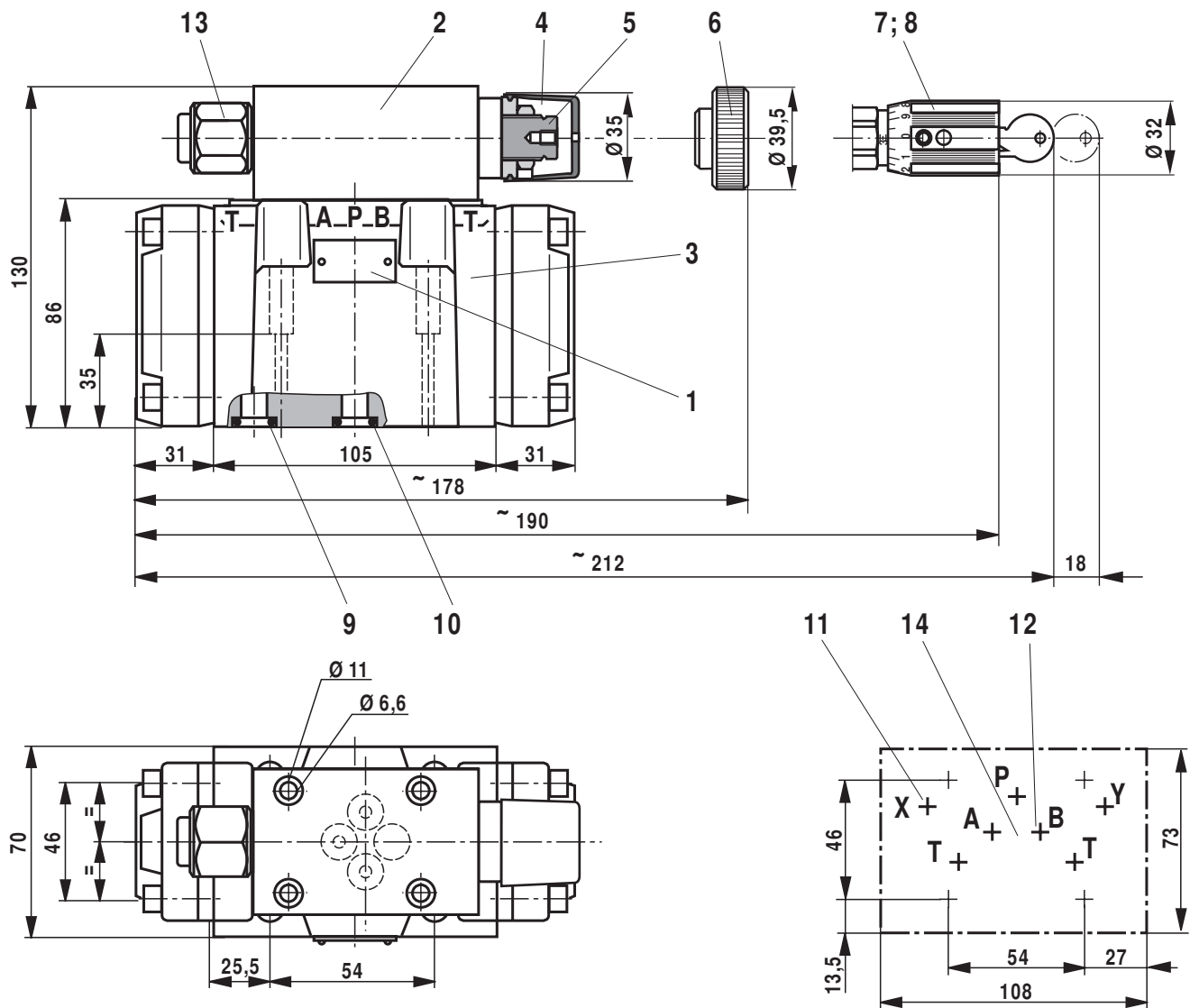
M = NBR seals  
V = FPM seals  
(other seals on request)

**⚠ Attention!**  
The compatibility of the seals and pressure fluid has to be taken into account!

00 = without stroke limiter

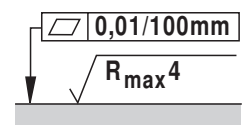
**Pilot oil supply**  
pilot oil supply internal,  
pilot oil supply external

<sup>1)</sup> H-key with material no. 00008158 is included within the scope of supply



- 1 Name plate
- 2 Pilot control valve
- 3 Main valve
- 4 Adjustment element "4"
- 5 Hexagon A/F 10
- 6 Adjustment element "4"
- 7 Adjustment element "6"
- 8 Adjustment element "7"
- 9 O-rings 10.82 x 1.78 for ports X and Y
- 10 O-rings 12 x 2 for ports A, B, P and T
- 11 Port X has to be plugged in the sub-plate.

- 12 Port B has to be plugged in the sub-plate.
  - 13 Pressure gauge connection
  - 14 Valve mounting surface, porting pattern to DIN 24 340 form A, ISO 4401 and CETOP-RP 121 H
- sub-plates** G535/01 (G 3/4)  
G536/01 (G 1)
- to catalogue sheet RE 45 054 must be ordered separately.
- Valve fixing screws**  
4 off M6 x 45 DIN 912-10.9,  
 $M_A = 15.5 \text{ Nm}$ ,  
must be ordered separately.



Required surface finish of mating piece