

\$ \$



:G4E@A6QIB5
 5:G4E@2=4@E@C=6
 -64E4 A@A@E@2=4@E@
):K6) %
) A@-EJA6
 4-@65 46?B@D
 @A6? 46?B@D
) A@-?@ :?2=7@H) 66 A2C
) @6?@5 A@DE@ @ :E7@C4@78F@ZE@ H:B@ H@D@G6?@5D
 # D@6?@5 @ D56
 # D@6?@5 @ D56

%AE@
 ' :?4 ?4<6=DFC246
 B@2E 6?E D66 \$
 %> :E:7?@E@BF:G5
 %AE@ > 2?F2=@@C@56 D66 2EA2C
 @-6-64E42=4@?64E@
 A:F8 7@C4@?64E@C@JA6 \$
 6I \$ 7@ 3+) 6+
 A:F8 7@C4@?64E@C@JA6
 +*) * & > 2-6
 \$ @ :?2=D@6?@5 G@E286 ,
 \$ @ :?2=D@6?@5 G@E286 ,
) 62-D
 \$ (D62-D7@C> :?6C2=@= 7@ 3+) 6+
 & &# D62-D7@C@A64:2=7F:5D
) 6C6D\$ @ 7@ @ DK6D2?5 > @?E?8 5> 6?D.@D
 @> 2:? F?492?865

\$ * 96 D@?52@ G2-@ :DDFAA=65 H:B@ DFC246 B@2E 6?E@A9@A92E?8 3-24<
 * 96 K?4 ?4<6=7?:D@:78 @ B@ G2-@ 3@J > 2-6D B@ G2-@ DF:E23-6 E@6?DF@ 2 D2-EDA@J @DD@2?46 FA @ 9@F@ BDE@A6QIB5
 244@5:78 @ \$) % D@?52@D2?5 BDE6G2F2E@ @A6QIB5 244@5:78 @+\$ \$) % D@?52@D
 @C2 D2-EDA@J @DD@2?46 FA @ 9@F@ @56C@6 9:89 4@C@D @ @DD@2?46 G@D@

0 / * 46647043 6, 7078 3*, ., , 67043

* 9:D@G@D @ 7@2F@G@D B@6 K?4 ?4<6=4@E?8 @ 2=6I A@65 > 6E2=A2@D @ B@ G2-@ > 2<:78 :E@DD@2?E@6I A@F@G @B@6 D2-EDA@J 7@C
 / 4967 BDEA6@C@ 65 244@5:78 @+\$ \$) % 2?5 2DD@D@ 6?E@BDEA6@C@ 65 244@5:78 @+\$ \$) %
 * 96 4@-2@G DA64:74 7@C@B:D@G@D @ 7@2F@C?8 2 K?4 ?4<6=DFC246 B@2E 6?E -64E42=7@2F@G@D2EA2C@28C@A9
 * 96 3@E> 2?F2=@@C@56 # :D:?D@2=65 2DD@2?52@ :? @56C@E@A@64E@B@6 D@6?@5 F36
 @-@H B@6 :?56?E742E@ 4@66 36-@H @@56C:E



9@46D2D:? D@2?52@
 :56?E742E@ 4@66
 A@H6CDFAA-J
 ;
 ;
 @-6-64E42=4@?64E@
 ' A:F8 7@C4@?64E@C@JA6 \$
 6I \$
 %? @BF6DE A:F8 +*) * & 7@C> 2-6
 4@?64E@C@JA6 +*) *)

2?F2=@@C@56
 > 2?F2=@@C@56 3@E
 A@64E5 7@ 3+) 6+
 # D4@H @@C@56
 -6@C> 2?F2=@@C@56
 <? @ > 2?F2=@@C@56

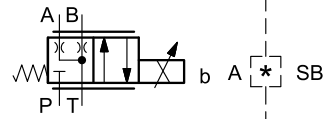
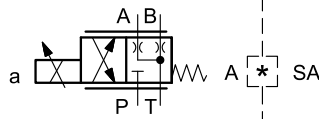
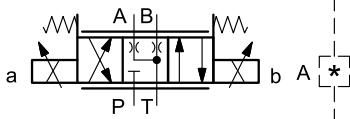
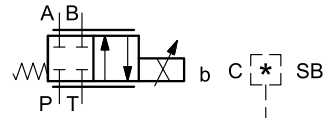
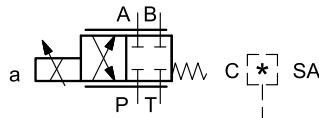
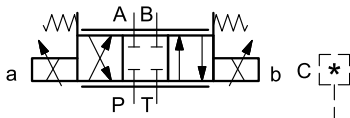
% " \$ #

, 2-6 4@78F2E@ 56A6?5D @ B6 4@ 3:2E@ @ B6 7@-@:78 6-6 > 6?D
 ?F> 36C@AC@E@2=D@6?@5D DA@-EJA6 ?@ :?2=7@H 2B

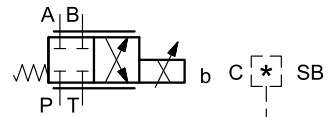
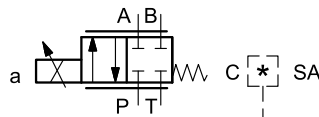
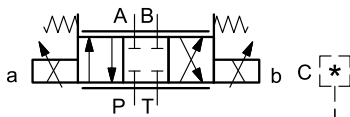
D@6?@5D4@78F2E@
 A@E@DH: B DAC?8 46?B C?8

R4@78F2E@ D@6?@5 @ D56
 A@E@D 46?E2= 6I B C?2= H: B
 DAC?8 46?B C?8

R4@78F2E@ D@6?@5 @ D56
 A@E@D 46?E2= 6I B C?2= H: B
 DAC?8 46?B C?8



| | |
|--|------------------------------|
| | \$ @ :?2=7@H H: B OA 32C&T * |
| | => :? |
| | => :? |
| | => :? |
| | &T ∇* => :? |
| | => :? |
| | &T ∇* => :? |

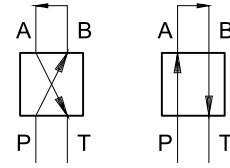


| | |
|---|------------------------------|
| | \$ @ :?2=7@H H: B OA 32C&T * |
| " | => :? |

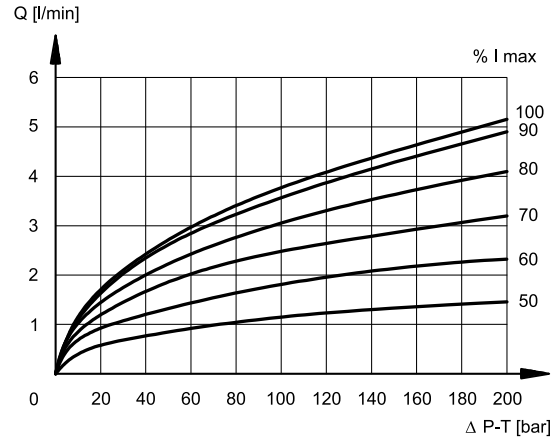
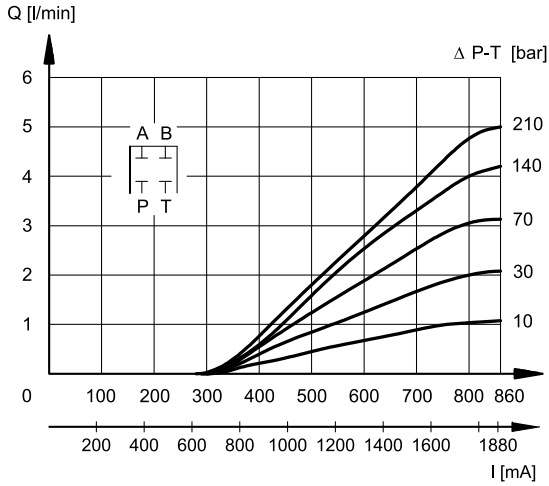
" \$ " # \$ %" & #

©2:765 H:9 > :?6Q=@-H:9 GD4@EJ @ 4) E2E L 275 6-64E@:4 4@E@42G

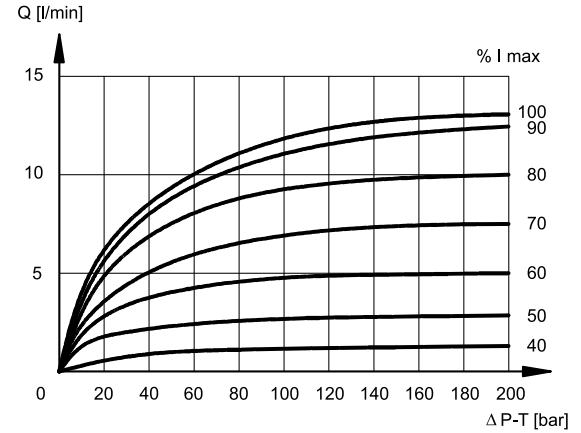
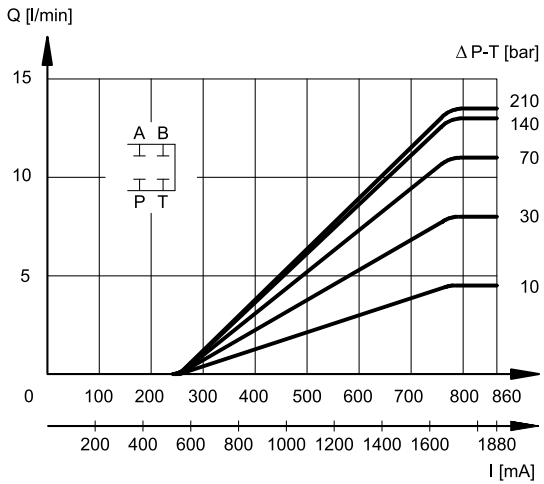
* JA:42=7@H 2E 4@E@4FC6D244@5:78 E@B6 4FC6?EDFAA-J E@D@6?@5 * 96 G76G?46
 OA G2-F6D2G > 62DFG5 36E166? A@E & 275 * @ B6 G-6



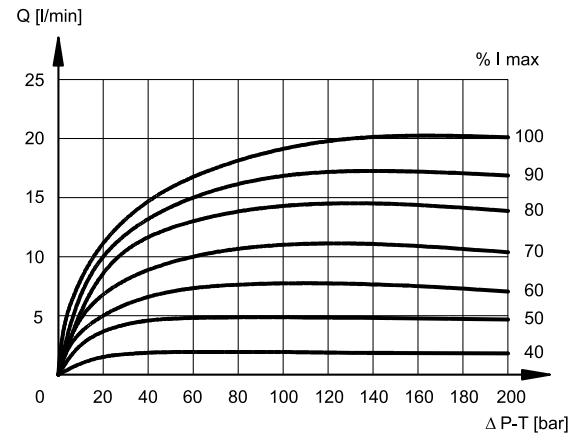
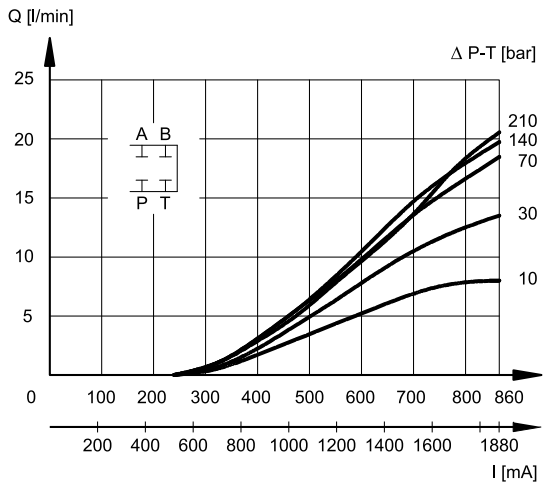
\$("

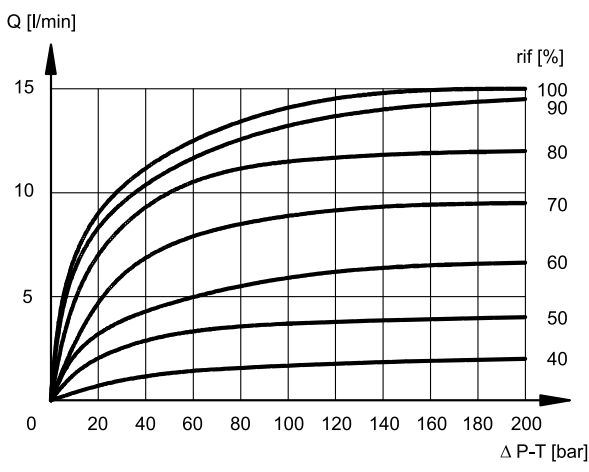
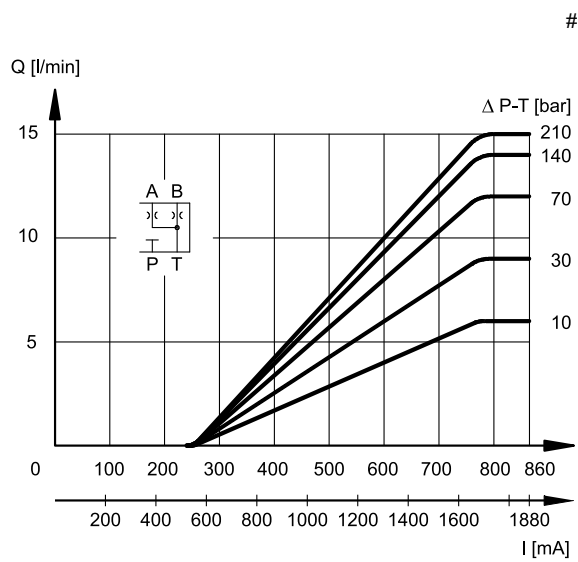
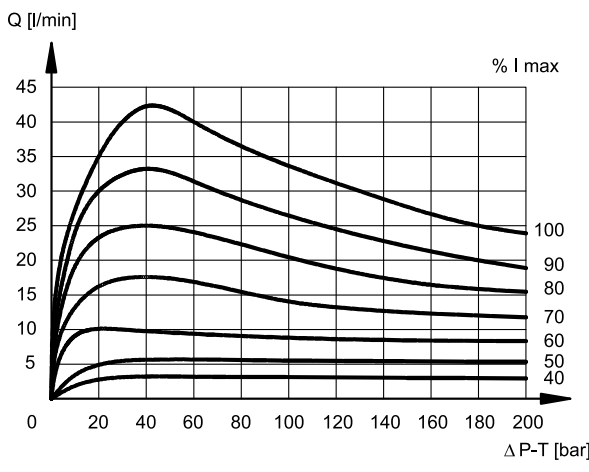
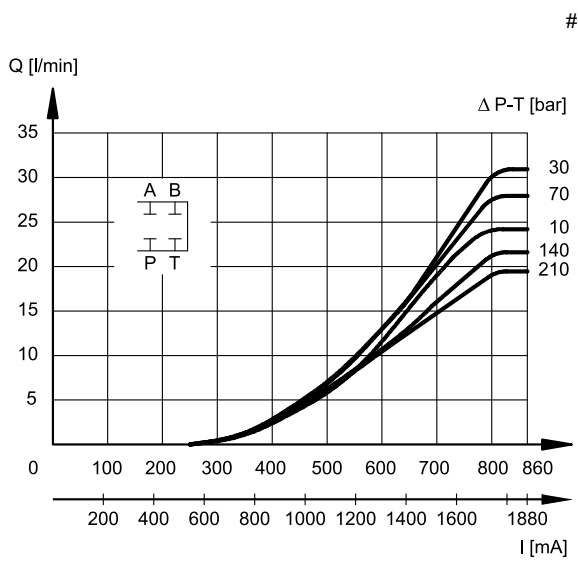
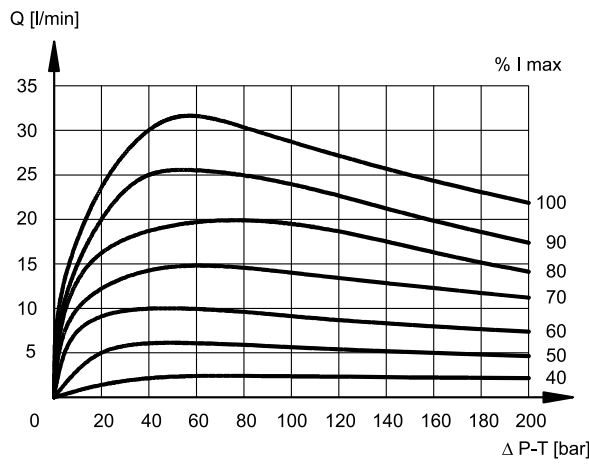
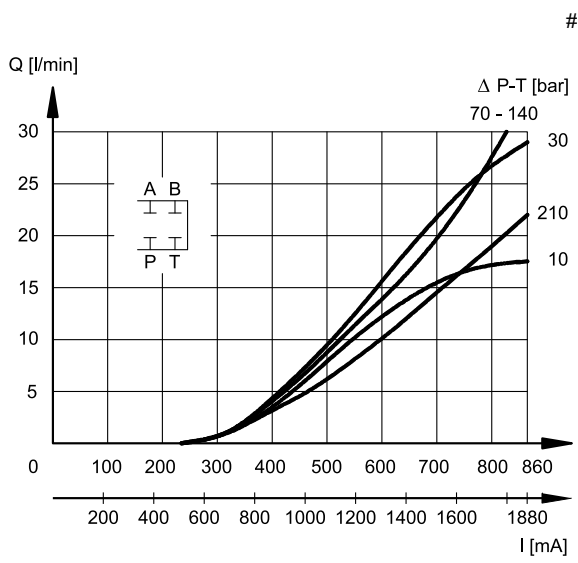


\$(

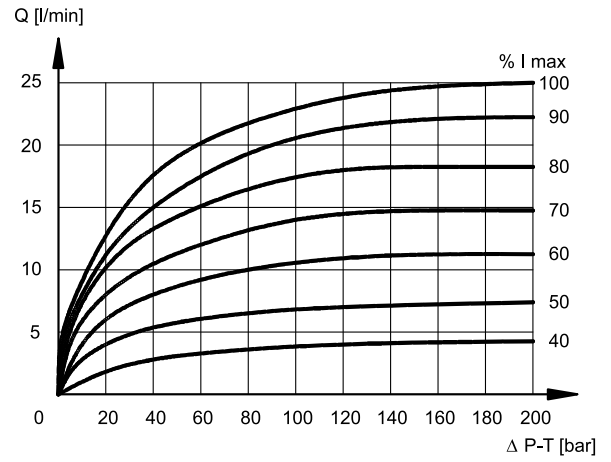
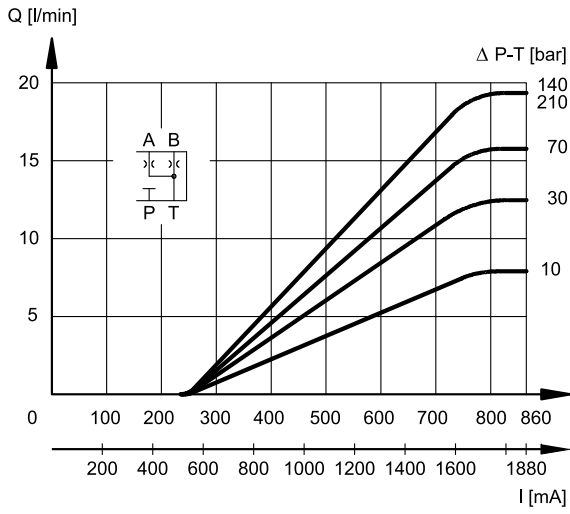


\$(

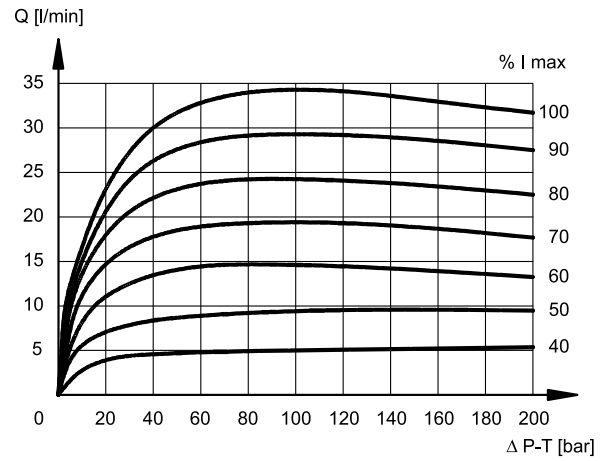
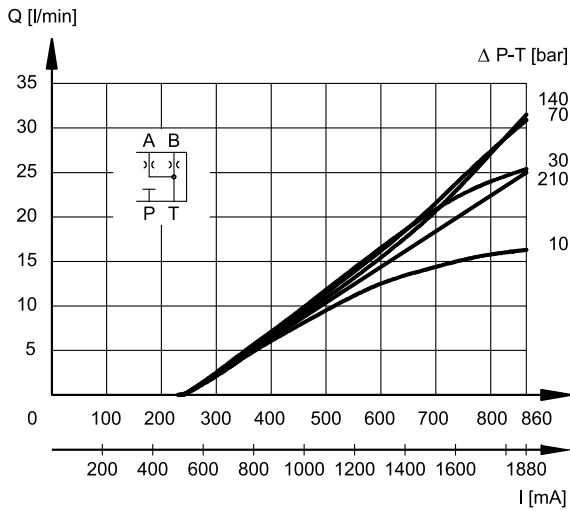




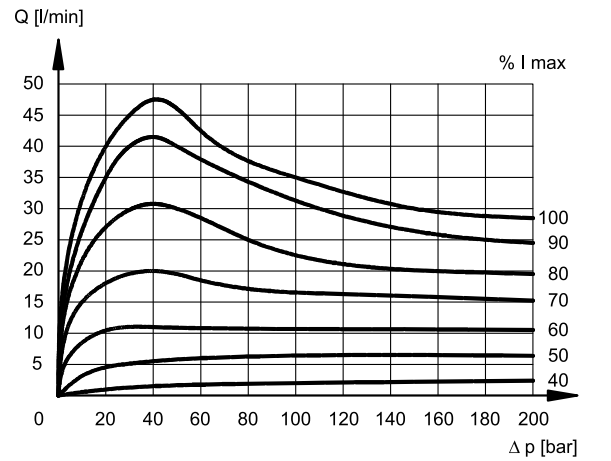
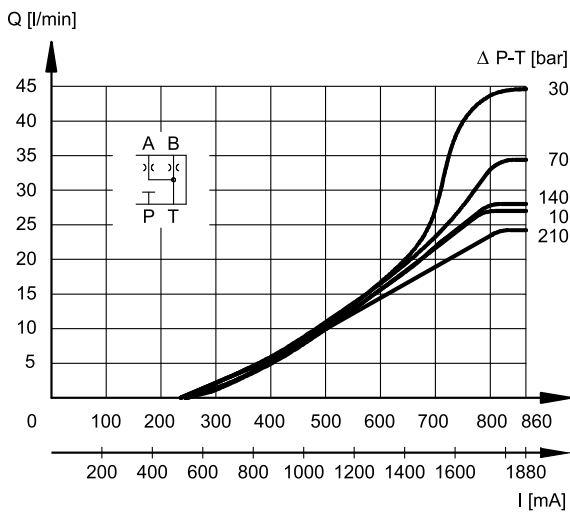
\$(



\$(



\$(



"

\$" " \$ " # \$ #

64546043) 1741, 340-

* 96 ACC@E@2=D@6?@5 4@ ACCD6DH@A2@D EF36 2?5 4@=

* 96 EF36 D4GH65 E@B6 G-@3@J 4@E?:DB6 2G- 2EF@ H9:49 :D
56D8?65 E@> 2:?:E?:? 7C4E@ E@2 >:?:> F> B6@3J G5F4:78
9JDB@DD

* 96 4@=D> @F?B5 @ B6 EF36 D64FC@5 3J > 62?D@2 =@< ?FE
E42? 36 @B65 B@CF89 L56A6?5:78 @ :?DE-2E@ 462Q?46D

648 * 8043 -642) @ 475/ , 60') . , 38'

| | | |
|--------------|---|-----|
| ;? EIA6 | & | & ! |
| ! \$ 6I \$ | | |
| ! +*) * >2-6 | | |

* 96 ACC@E@ 568@6 :D8F2Q?B65 @=H: B6 4@?64E@
4@E@4E 4@?64E5 2?5 :?DE-65

\$ " #

@E?:65 H: B > :?6Q=@-H: B GD1@B @ 4) E2E L 2?5 6-64E@:4
4@E@42@

) BA @DA@D6 :D B6 E> 6 E<-6? 7@B6 G-@ E@G249 @ B6
D6B65 A@E@?:8 G-@F6 7@-@H:78 2 D@A 492?86 @ G7@G?46
D8?2= * 96 E23-6 D@HD EIA:42=@DA@D6 E> 6D B6B65 H: B DA@-
EIA6 2?5 OA 32C& *

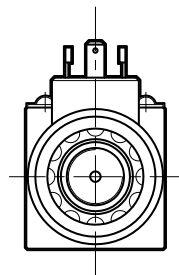
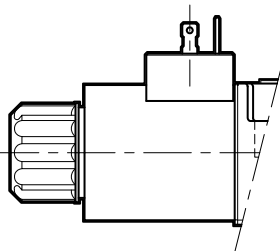
| | | | |
|-----------------------------------|---|------------|-------|
| & \$ | , | | |
| " # # \$) 8 < ! 4@= | N | | |
| % " \$ | | | |
| %((| | | |
| \$" \$ \$ \$(| | 44@5:78 E@ | + |
| ## " \$ \$ @=:?DF-2E@ , > A@8?2E@ | | 4-2DD | 4-2DD |

| | | |
|-------------------|---|---|
| " " # \$ | T | T |
|) BA @DA@D6 G- D1 | | |
| # # | | |

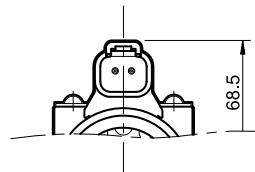
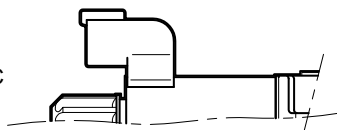
\$" \$ #

@?64E@D7@! 4@?64E@ 2@ 2+12JD56=@G@5 E@96B6CH: B B6 G-@

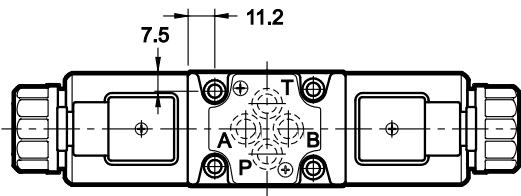
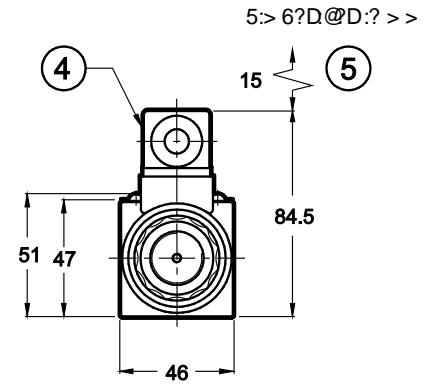
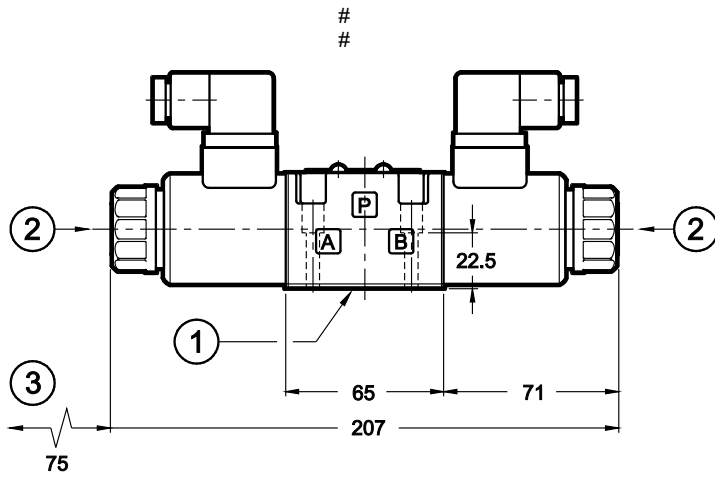
4@?64E@ 7@ \$
6I \$ 4@?64E@
4@6 78 3+) 6+
4@6 ' - G@D@ @=J



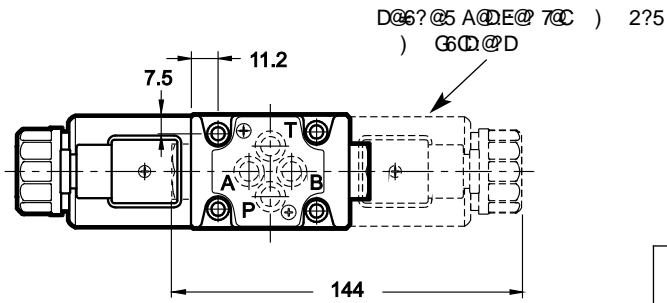
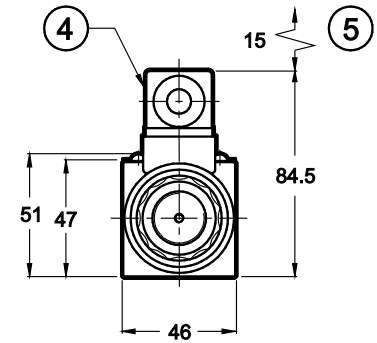
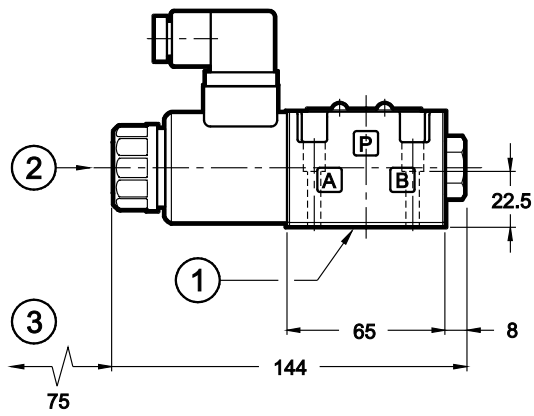
4@?64E@ 7@
+*) *) >2-6 4@?64E@
4@6



& " % \$ # #



#



| |
|---------------------------|
| 2DB?:?8 3@E 3@E# I)% |
| * @BF6 \$> |
| * 9@25D @> @?E?8 9@6D # I |

| |
|---|
| # @?E?8 DFC246 H:8 D62=?8 C?8D
% @EA6 I D9@6 |
|) E?52@ > 2?F2=@6 C56 :?E8@E5 :? E6
D66?@5 E36 |
| @-@ > @Z=DA246 |
| -64E4 4@?64E@EA6 \$
6I \$ |
| @?64E@C@ > @Z=DA246 |

"

% & " "

* 96 D2?52G G-6 92DD@6?@5DH9@D6 A? 7@B6 > 2?F2=@A6QE@ :D:?B8Q65 :? B6 EF36 * 96 @A6QE@ @7B9D@B6C56 > FDE36 6I 64FB5
H:B 2 DF:23-6 E@> :?5:78 ?@E@52> 286 B6 D=5:78 DFC246

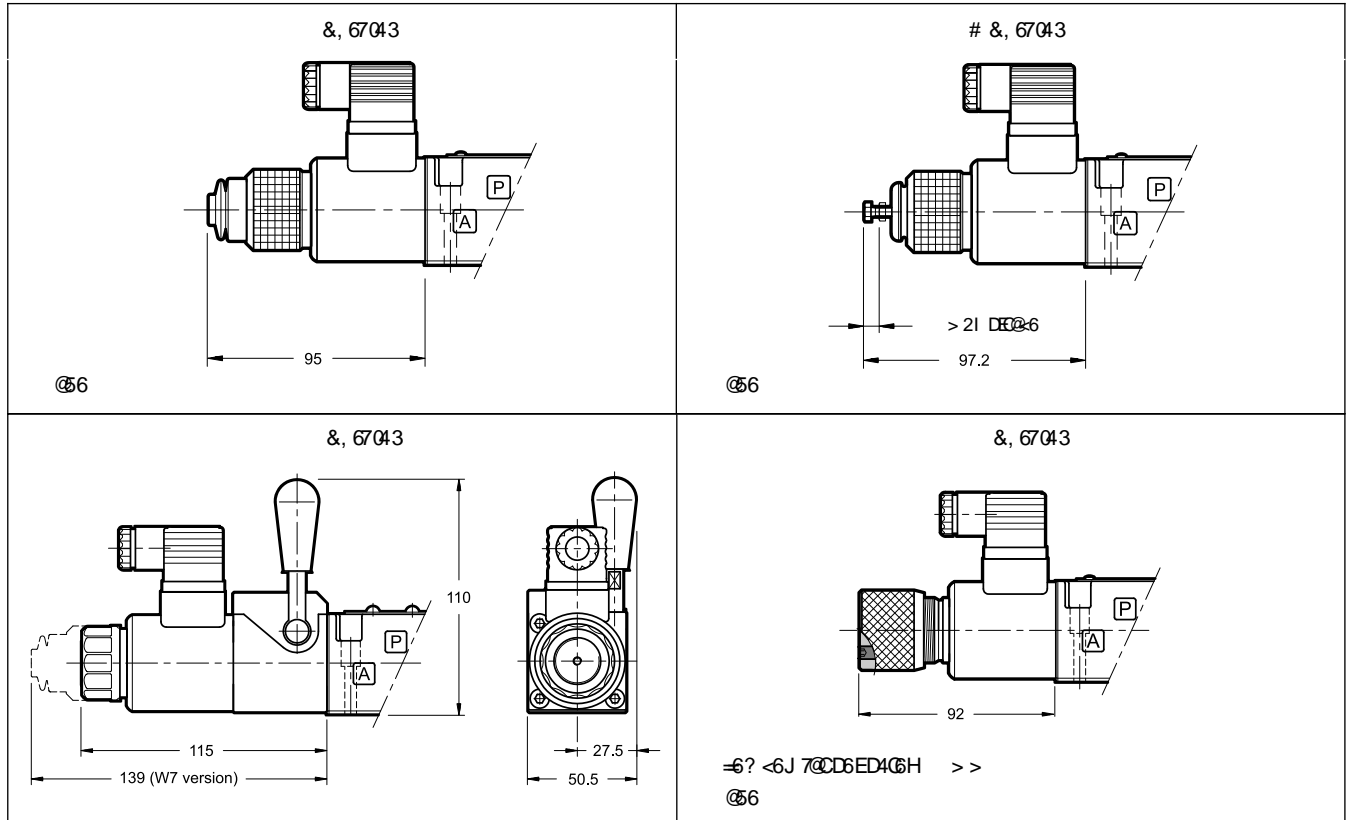
@FC5:76G?E> 2?F2=@B6C56 G@D@D2G 2G:-23-6 FA@ @BF6DE

G@D@ > 2?F2=@B6C56 36-EAC@B4B5

G@D@ H:B > 6E=C?8 ?FEAC@B565 H:B 2 # D4GH 2?5 2 3-@<?8 -@<?FEE@2=@H B6 4@E?F@FD> 6492?:42=@A6QE@D

G@D@ -6G6C> 2?F2=@B6C56 * 96 -6G6C56G46 :D2+H2JDA=2465 2EB6 D56 @7B6 G-6

G@D@ <?@ - 96? B6 D6ED4GH :DD4GH65 2?5 :DA@?E:D2=8?65 H:B B6 6586 @7B6 <?@ B89B? B6 <?@ E=-EEF496D B6 DA@> :? B:DA@E@ B6 @B6C56 :D?@E?82865 2?5 B6 G-6 :D56 6?6G:K65 76C25:FDE?8 B6 @B6C56 B89B? B6 D6ED4GH :? @56CE@2G@5 B6 <?@ @@D?8



(" % % #

+ D6 > :?6Q=@-32D65 9J5QF=4 7F:5D=6 " @ # BIA6 244@5:78 E@) % - :B B:D<?5 @7F:5D FD6 \$ (D62-D BIA6 4@6 \$ @
(7F:5D BIA6 A9@A92B 6DB@D FD6 &# D62-D 4@6 , @FD6 H:B @B6C<?5 @7F:5D DF49 2D A-62D6 4@DF-E@C
B49?:42=56A2@E 6?E

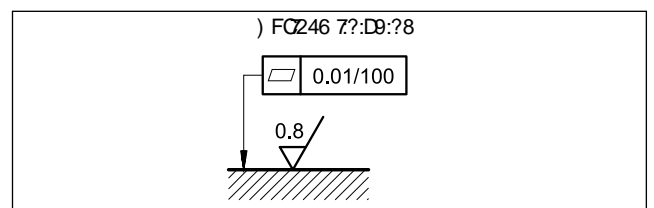
%A6QE@ H:B 7F:5 B> A6QEF6 6I 4665:78 L 42FD6DAG> 2F6 56B6C@QE@ @7B6 BF2=H @7B6 7F:5 2?5 D62-D * 96 A9JD42=2?5
496> :42=AC@A6ED @7B6 7F:5 > FDE36 > 2?E:765

\$ \$

) G-6D42? 36 :?D2=65 :? 2?J A@E@ H:B @FE-> A2:C?8
4@B4E@A6QE@

?DF6 B2EB6G :D?@2:C? B6 9J5QF=4 4:QF:E

, 2-6D2G 7I 65 3J > 62?D @D4GH@ @E6 @GD @ 2 72EDFC246
H:B A-2?2CE 2?5 @F89?6CD6BF2=E@@36B6C@2? B@D :?5:42B5
:? B6 G-2EG DJ> 3@D 7> :?> F> G-F6D2G ?@E@D6G65 7F:5
42? 62D=J -62< 36EH66? B6 G-6 2?5 DFAA@EDFC246



"

\$" \$" % \$#

#

	7@D@6?@5 ,	A=F8 G@Q@	D66 42E
	7@D@6?@5 ,		
	7@D@6?@5 ,	\$ \$ Q: => @F?E?8	D66 42E
	7@D@6?@5 ,		

#

	, D@6?@5D	Q: => @F?E?8 \$ \$	D66 42E
	, D@6?@5D		

#% \$ #
D66 42E-@F6

* JA6 &# #	A@E@ @ G2C
* JA6 &# #	" D56 A@E@
& *	A@E@G25:?8 R) &